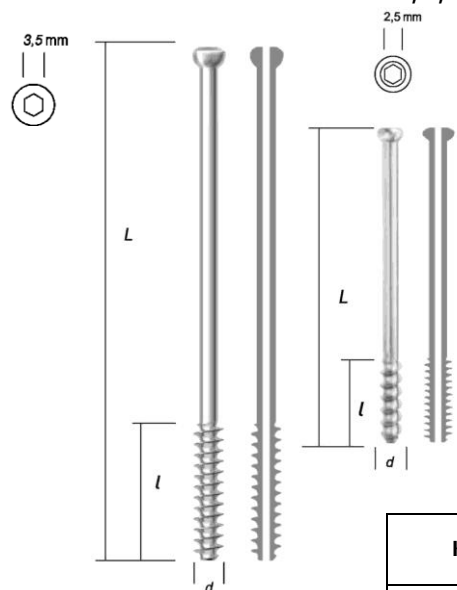


**ВИНТ КАНЮЛИРОВАННЫЙ СПОНГИОЗНЫЙ**

Ø 4,0; 4,5; 6,5; 7,0; 7,3 мм /титан/


 для лечения  
 тазобедренного  
 сустава

Код	Размеры, мм		
	L	l	d
029.40.10.05	10	5	4,0
029.40.12.05	12		
029.40.14.05	14		
029.40.16.05	16		
029.40.18.12	18		
029.40.20.12	20		
029.40.22.12	22		
029.40.24.12	24		
029.40.26.12	26		
029.40.28.12	28		
029.40.30.12	30		
029.40.35.12	35		
029.40.40.12	40		
029.40.45.12	45		
029.45.10.05	10	5	4,5
029.45.12.05	12		
029.45.14.05	14		
029.45.16.05	16		
029.45.18.12	18		
029.45.20.12	20		
029.45.22.12	22		
029.45.24.12	24		
029.45.26.12	26		
029.45.28.12	28		
029.45.30.12	30		
029.45.35.12	35		
029.45.40.12	40		
029.45.45.12	45		

Код	Размеры, мм		
	L	l	d
029.65.050.16	50	16	6,5
029.65.050.32	50	32	
029.65.055.16	55	16	
029.65.055.32	55	32	
029.65.060.16	60	16	
029.65.060.32	60	32	
029.65.065.16	65	16	
029.65.065.32	65	32	
029.65.070.16	70	16	
029.65.070.32	70	32	
029.65.075.16	75	16	
029.65.075.32	75	32	
029.65.080.16	80	16	
029.65.080.32	80	32	
029.65.085.16	85	16	
029.65.085.32	85	32	
029.70.050.16	50	16	7,0
029.70.050.32	50	32	
029.70.055.16	55	16	
029.70.055.32	55	32	
029.70.060.16	60	16	
029.70.060.32	60	32	
029.70.065.16	65	16	
029.70.065.32	65	32	
029.70.070.16	70	16	
029.70.070.32	70	32	
029.70.075.16	75	16	
029.70.075.32	75	32	
029.70.080.16	80	16	
029.70.080.32	80	32	
029.70.085.16	85	16	

Код	Размеры, мм		
	L	l	d
029.70.085.32	85	32	7,0
029.70.090.16	90	16	
029.70.090.32	90	32	
029.70.095.16	95	16	
029.70.095.32	95	32	
029.70.100.16	100	16	
029.70.100.32	100	32	
029.70.105.16	105	16	
029.70.105.32	105	32	
029.70.110.16	110	16	
029.70.110.32	110	32	
029.70.115.16	115	16	
029.70.115.32	115	32	
029.70.120.16	120	16	
029.70.120.32	120	32	
029.73.050.16	50	16	7,3
029.73.050.32	50	32	
029.73.055.16	55	16	
029.73.055.32	55	32	
029.73.060.16	60	16	
029.73.060.32	60	32	
029.73.065.16	65	16	
029.73.065.32	65	32	
029.73.070.16	70	16	
029.73.070.32	70	32	
029.73.075.16	75	16	
029.73.075.32	75	32	
029.73.080.16	80	16	
029.73.080.32	80	32	
029.73.085.16	85	16	
029.73.085.32	85	32	
029.73.090.16	90	16	
029.73.090.32	90	32	
029.73.095.16	95	16	
029.73.095.32	95	32	
029.73.100.16	100	16	
029.73.100.32	100	32	
029.73.105.16	105	16	
029.73.105.32	105	32	
029.73.110.16	110	16	
029.73.110.32	110	32	
029.73.115.16	115	16	
029.73.115.32	115	32	
029.73.120.16	120	16	
029.73.120.32	120	32	